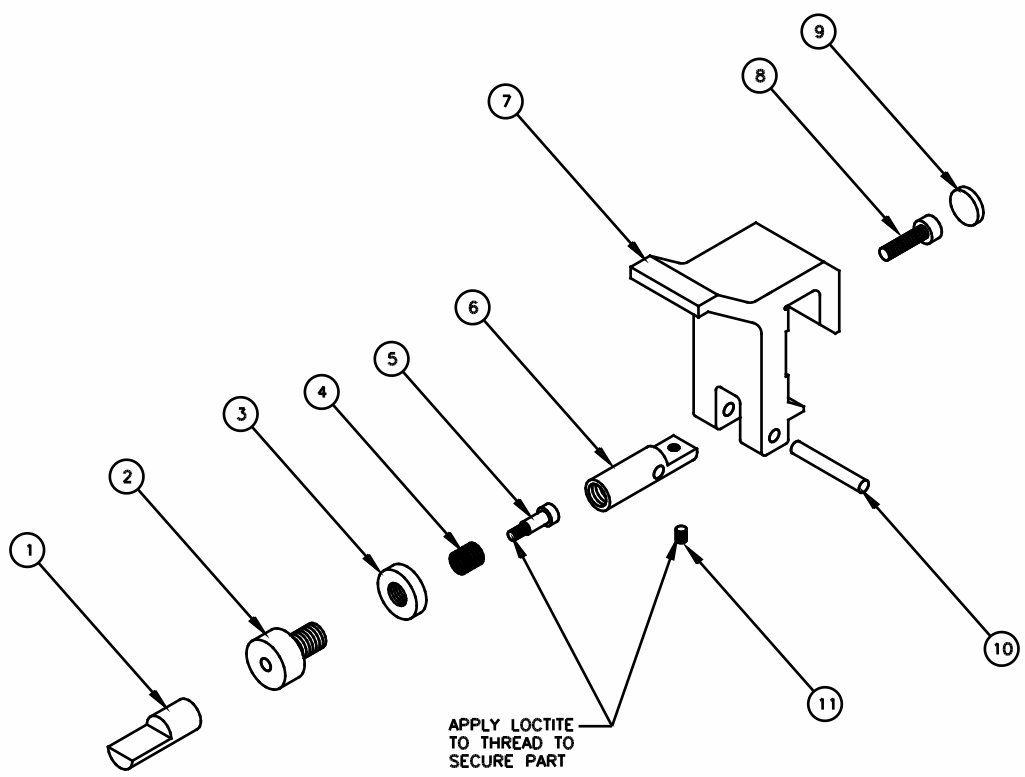


REVISIONS				
ZONE	REV.	DESCRIPTION	DATE	APPROVED

ALL RIGHTS STRICTLY RESERVED. REPRODUCTION OR USE OF THIS DRAWING IN ANY FORM WITHOUT PERMISSION IS NOT PERMITTED WITHOUT WRITTEN AUTHORITY FROM ZAKRON INDUSTRIES INC.



ITEM NO.	QTY	PART OR IDENTIFYING NO.	NOMENCLATURE OR DESCRIPTION	SUPPLIER PART NO.
11	1	85908-008	#8-32 X 1/2 SET SCREW	
10	1	84525-001	1/4 DOWEL PIN X 1 1/2	
9	1	83205-003	SHEAR-LOC KNOB - FINGER	
8	1	85231-124	5/16-18 UNC X 1 1/2 SHCS	
7	1	82802-005	FINGER FRAME	
6	1	82803-001	GAUGING FINGER HOLDER	
5	1	85725-108	1/4 DIA X 1/2 HHOLDER BOLT	
4	1	83204-003	FINGER SPRING - BACK GAUGE	
3	1	82805-003	THUMB KNOB	
2	1	82805-004	GAUGING FINGER ADJUST KNOB	
1	1	82803-002	GAUGING FINGER STOP	

PARTS LIST

MS1 STANDARD	71002-110	STANDARD GAUGE
MSD1	71310-110	SINGLE DRIVE
MCC	71310-110	MICRO II
MDD1	71510-110	DUAL DRIVE (MDD1)
MACHINE TYPE	PART NO.	DESCRIPTION
		ASSEMBLY USED ON
APPLICATION		

UNLESS OTHERWISE SPECIFIED DIMENSIONS ARE IN INCHES TOLERANCES ARE: FRACTIONS DECIMALS ANGLES XX XXX		CONTRACT		BACK GAUGE FINGER SUB-ASSY			
MATERIAL	N/A	APPROVALS	DATE	ZAKRON IND. INC. 520 WESTNEY RD. S., UNIT 22 AJAX, ONT. CANADA			
FINISH	N/A	DRAWN	G WALKER				31.07.98
		CHECKED					
		ISSUED		SIZE	FILE NAME	DWG. NO.	REV.
				C	83607000	83607-000	
DO NOT SCALE DRAWING				SCALE	1:2	SHEET	OBS. DWG. NO.